

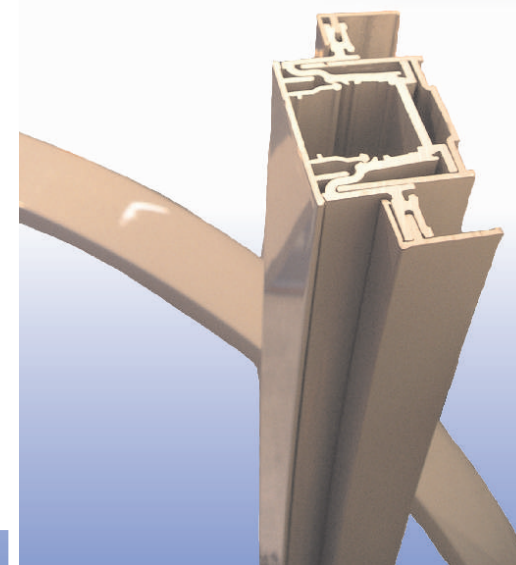
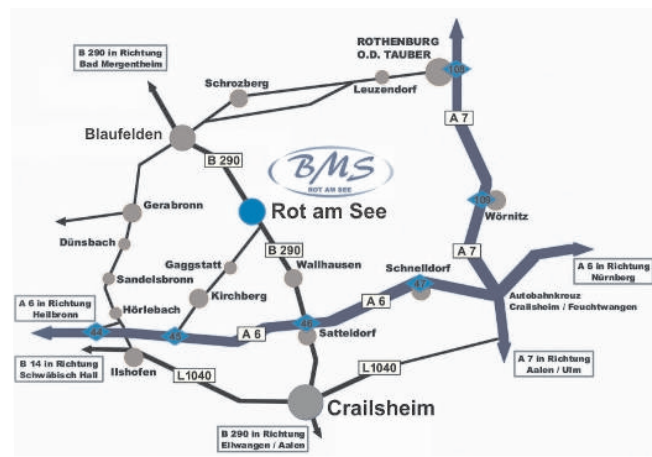
# CUSTOMIZED WINDOW AND FACADE ELEMENTS



**BMS-Biegetechnik GmbH**  
Zolläckerstraße 4  
D-74585 Rot am See

Phone : +49 (0) 79 55 / 93 90-0  
Fax : +49 (0) 79 55 / 13 37

[info@bms-biegetechnik.de](mailto:info@bms-biegetechnik.de)



**COMPETENCE BY EXPERIENCE**

**A MEMBER OF THE ZECH-GRUPPE**

***We bend solutions***

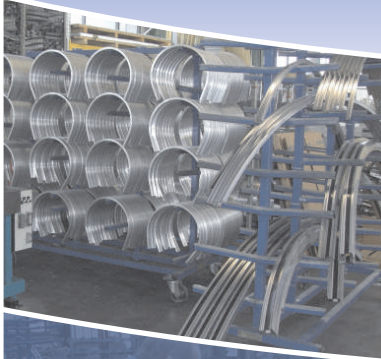


## CUSTOMIZED BENDING

system-, special-  
and customer profiles

insulated profiles

windows, doors  
facades



standard profiles  
round- and rectangular  
tube ; L-, T-/ I-/U-profiles

aluminium / steel /  
stainless steel / brass  
u.a.



support during the  
development of  
bendable profiles



## CUSTOMIZED SOLUTIONS

producing of  
customized solutions  
as a combination  
of bended, punched  
and welded elements



welding:  
steel / aluminium  
WIG / MIG / MAG



drilling / milling  
punching / bending  
grinding /  
picking and packing  
logistics



## POWDER COATING

RAL and special colors  
structur- and  
special effect powder



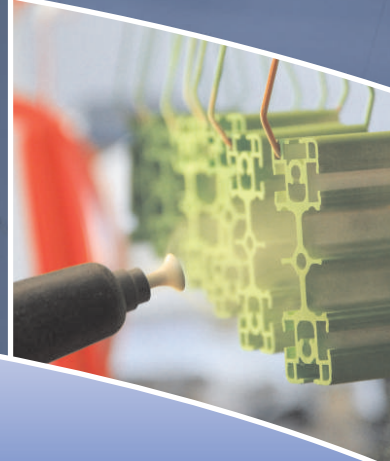
pretreatment in  
closed circuit

No-Rinse passivation



express service

single and  
serial coating



You have the task - We bend solutions!